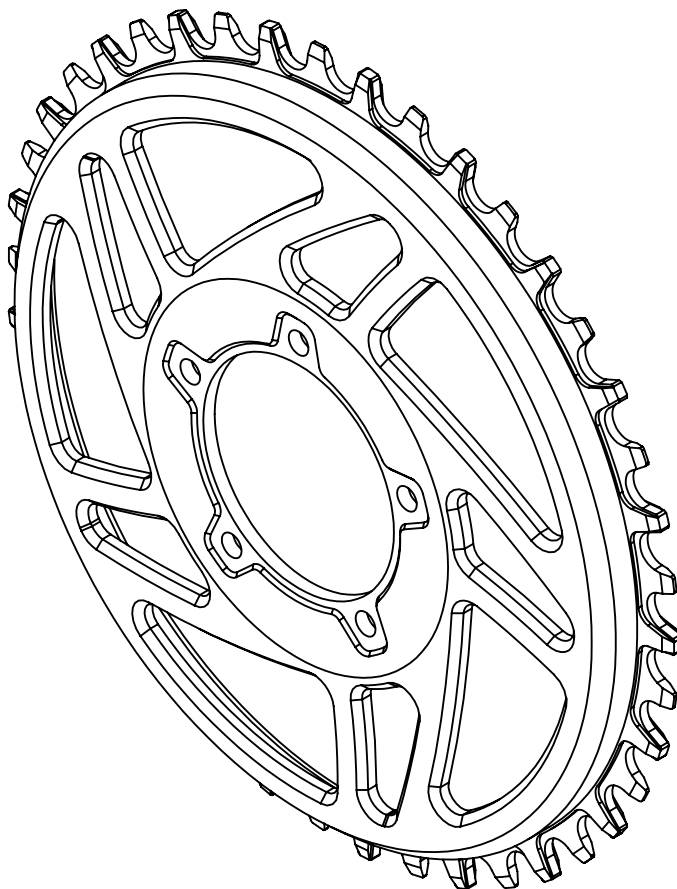


TIPS AND TRICKS

FOR BLING RINGS V1, V2, V3
COMPATABLE WITH **BAFANG BBS01/BBS02/BBSHD**

INCLUDES

1X LEKKIE BLING RING



TOOLS REQUIRED

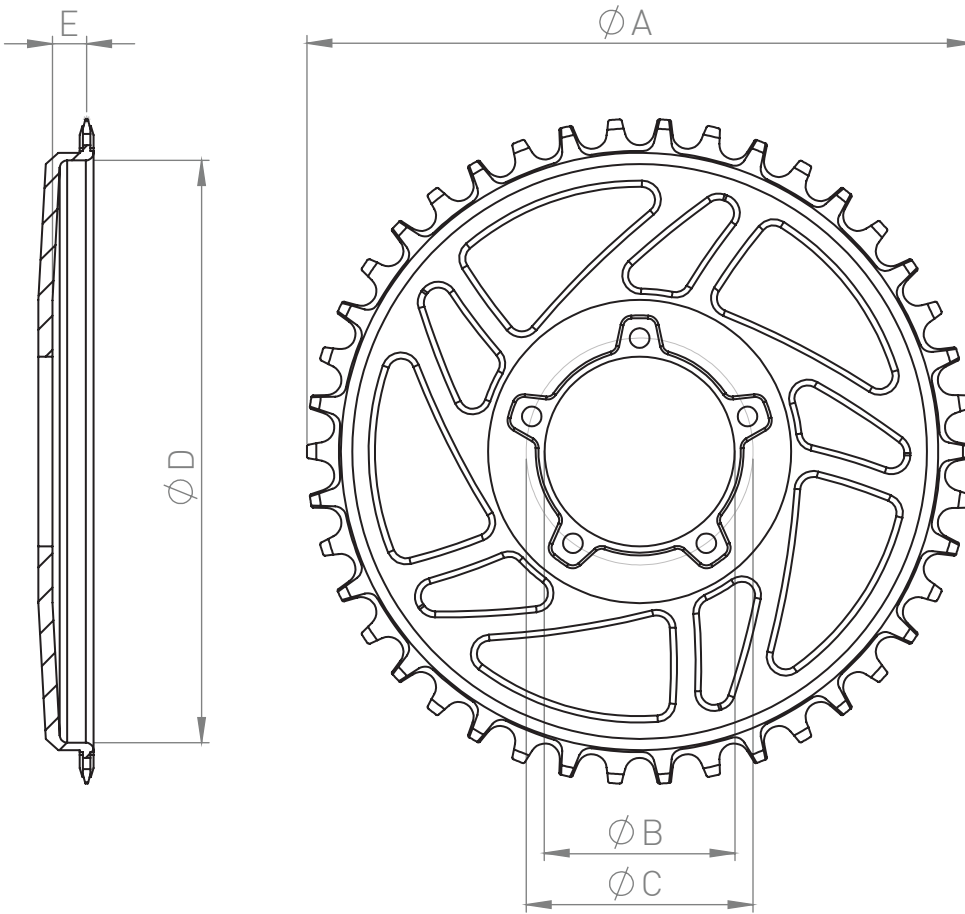
- 4mm hex/Allen key

INSTALL TIPS

- Always install a new chain when installing a Bling Ring. Failure to do so may result in premature drivetrain wear.
- If you are offsetting by more than 2mm use longer bolts.
- Make sure when you install your Bling Ring you have at least 1.5mm gap between the wide tooth and chainstay to allow flex.
- Tighten 5x mounting bolts to 6Nm
- Try to get the chainline to the centre of your cassette - see below for details.
- Clean and lubricate the chain regularly.
- DO NOT use half links in the chain.
- Always grease square taper/axle before re-installing cranks.
- Make sure left and right cranks are on the correct sides.
- Tighten crank bolts to 60Nm

DIMENSIONS

Here are the basic dimensions of the Bling Ring. Note the image is just an illustration to explain the drawing.



	PRODUCT	A Outer Dia.	B Centrebore	C Hole PCD	D Clearance	E Offset
BBS01/02 Series	BLING RING 28 01/02	119	50.2	60	n/a	-1.8
	BLING RING 36 01/02	152	50.2	60	128	-0.8
	BLING RING 40 01/02	168	50.2	60	151	11
	BLING RING 42 01/02	176	50.2	60	154	9
	BLING RING 46 01/02	192	50.2	60	169	9
	BLING RING 52 01/02	216	50.2	60	193	6.5
	STOCK 01/02 48T	199	50.1	60	161	5.4
BBSHD Series	BLING RING 28 HD	119	41.3	51	96	5.2
	BLING RING 36 HD	152	41.3	51	128	5.2
	BLING RING 40 HD	168	41.3	51	151	20.3
	BLING RING 42 HD	176	41.3	51	154	18.3
	BLING RING 46 HD	192	41.3	51	169	18.3
	BLING RING 52 HD	216	41.3	51	193	16.3
	STOCK HD 46T	195	41.3	51	154	17.5

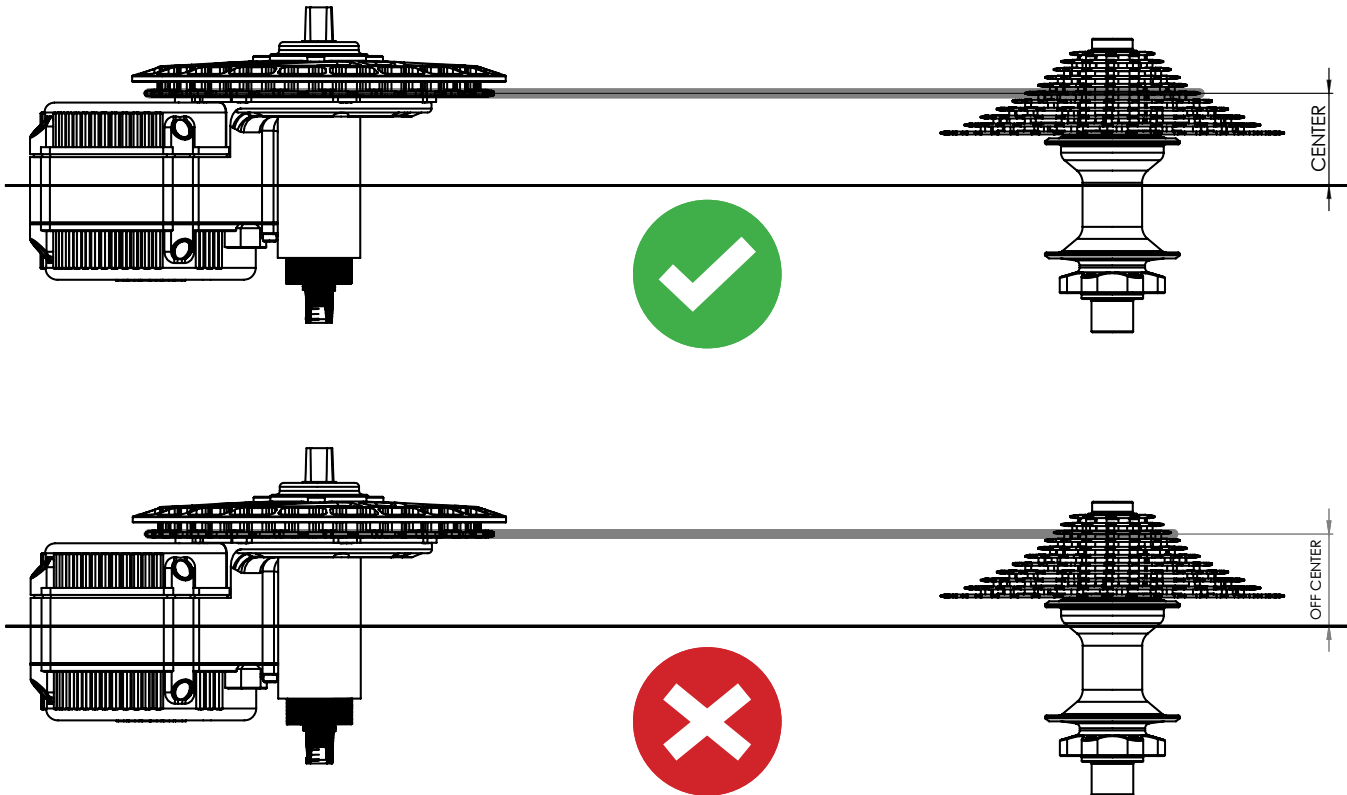
Measurements in mm

CHAINLINE

When building your machine, you want to replicate the chainline that was on the bike before you converted it. The ideal the chainline aligns the chainring teeth with the centre of your cassette as shown below. A non-optimal chainline will increase wear on components.

The BLINGRING is designed for optimal chainline, however you may need to adjust chainring offset using spacers to get that chainline perfectly suited to the unique geometry of your build.

A central chainline may not be possible on all frames. In this case do the best you can to get the chain central.



CHAIN COMPATIBILITY

The Lekkie BLINGRING is compatible with most chains up to 11-speed (known to work with some 12 speeds too). If your chain is not sitting well on the chainring try using a Shimano chain compatible with the number of gears. EG HG-X11 11 Speed. Note if the chain is tight on the teeth do not use.

GEOMETRY

The 40T, 42T and 46T offset gives you the best possible chainline without interfering with the motor. However chainstay interference can be a big issue in building your bike - the larger the sprocket the closer the chainstay gets, so you may need to use a spacer to clear the chainstay.



WARRANTY

At Lekkie we don't accept anything but the best workmanship and quality. If a part has slipped through our QC system and made it to your hands let us know and we will put it right.

If one of our products fails we want to know so we can make our products better. If you destroy a lekkie product in extreme use tell us. We can learn from this and sell you something to suit your needs.

If you are in any way unhappy with your Lekkie product get in touch so we can put it right.

